



C SERIES

COMPACT COMMERCIAL
SHELVING



TABLE OF CONTENTS

C SERIES SHELVING	04 - 05
GONDOLAS / END PANELS / END DISPLAYS	06 - 09
MODULAR GONDOLAS	10 - 11
WALL UNITS	12 - 13
EXAMPLES	14
AVAILABLE COLORS	15
ACCESSORIES	16 - 17
COMPONENTS	18 - 19
COMPACT END & CENTER POSTS	19 - 20
INSTALLATION STEPS	21 - 24
PORTFOLIO	25 - 27
CONTACT US	28



C SERIES

Optimize the space in your retail store with our unique and refined C Series compact commercial shelving.

This lighter and more refined series will give you a new perspective on fixed and mobile systems.

Ideal for retail stores, boutiques, convenience stores, cash cues and store fronts, our C Series allows you to maximize floor space while highlighting popular products.



PLAIN BACK GONDOLA WITH BASE DECK & WIRE SHELVES

Available heights: 36" - 42" - 48" - 54" - 60" - 66" and 72"

Available widths: 24" - 30" - 36" and 48"

Available base depth: 8" - 10" - 12" - 14" and 16"

Available shelf depth: 8" - 10" - 12" - 14" and 16"

* OPTION: with or without base deck * OPTION: on wheels or levelers

* Back options: open, masonite (plain or perforated), metal (plain or perforated), slatwall (with or without aluminum insertions)

ETALEX

GONDOLAS / END PANELS / END DISPLAYS



PLAIN BACK GONDOLA WITH BASE DECK, SLATWALL END PANEL & ACCESSORIES

Available heights: 36" - 42" - 48" - 54" - 60" - 66" and 72"

Available widths: 24" - 30" - 36" and 48"

Available base depth: 8" - 10" - 12" - 14" and 16"

Available shelf depth: 8" - 10" - 12" - 14" and 16"

* OPTION: with or without base deck * OPTION: on wheels or levelers

* Back options: open, masonite (plain or perforated), metal (plain or perforated), slatwall (with or without aluminum insertions)

GONDOLAS / END DISPLAYS



GONDOLA WITH SLATWALL BACKS AND BASE DECK, END DISPLAY AND SHELVES



GONDOLA WITH VARIOUS BACKS AND BASE DECK, END DISPLAY AND ACCESSORIES



GONDOLA WITH VARIOUS BACKS ON WHEELS, END DISPLAY AND ACCESSORIES

GONDOLAS / END PANELS / END DISPLAYS



GONDOLA WITH SLATWALL BACKS, BASE DECKS, END DISPLAYS & ACCESSORIES

Available heights: 36" - 42" - 48" - 54" - 60" - 66" and 72"

Available widths: 24" - 30" - 36" and 48"

Available base depth: 8" - 10" - 12" - 14" and 16"

Available shelf depth: 8" - 10" - 12" - 14" and 16"

* OPTION: with or without base deck * OPTION: on wheels or levelers

* Back options: open, masonite (plain or perforated), metal (plain or perforated), slatwall (with or without aluminum insertions)

GONDOLAS / END PANELS / END DISPLAYS



GONDOLA WITH VARIOUS BACKS, BASE DECKS, END DISPLAYS AND SHELVES



GONDOLA WITH SLATWALL BACKS, END PANELS & SHELVES

ETALEX

MODULAR GONDOLAS



MODULAR GONDOLAS



MODULAR GONDOLA WITH VARIOUS BACKS, BASE DECKS, END DISPLAYS & ACCESSORIES

Available heights: 36" - 42" - 48" - 54" - 60" - 66" and 72"

Available widths: 24" - 30" - 36" and 48"

Available base depth: 8" - 10" - 12" - 14" and 16"

Available shelf depth: 8" - 10" - 12" - 14" and 16"

* OPTION: with or without base deck * OPTION: on wheels or levelers

* Back options: open, masonite (plain or perforated), metal (plain or perforated), slatwall (with or without aluminum insertions)

MODULAR GONDOLA WITH VARIOUS BACK, BASE DECKS, END DISPLAYS AND SHELVES

WALL SECTIONS



Available heights: 36" - 42" - 48" - 54" - 60" - 66" and 72"

Available widths: 24" - 30" - 36" and 48"

Available base depth: 8" - 10" - 12" - 14" and 16"

Available shelf depth: 8" - 10" - 12" - 14" and 16"

* OPTION: with or without base deck

* Back options: open, masonite (plain or perforated), metal (plain or perforated), slatwall (with or without aluminum insertions)

WALL SECTIONS



Available heights: 36" - 42" - 48" - 54" - 60" - 66" and 72"

Available widths: 24" - 30" - 36" and 48"

Available base depth: 8" - 10" - 12" - 14" and 16"

Available shelf depth: 8" - 10" - 12" - 14" and 16"

* OPTION: with or without base deck

* Back options: open, masonite (plain or perforated), metal (plain or perforated), slatwall (with or without aluminum insertions)

EXAMPLES



EXAMPLES



AVAILABLE COLORS

AN INFINITE CHOICE OF COLORS TO MAKE YOUR PRODUCT UNIQUE.

AT ETALEX, WE OFFER AN IMPRESSIVE RANGE OF COLORS. LET OUR TEAM OF REPRESENTATIVES GUIDE YOU IN YOUR CHOICE OF COLORS.

CONTACT US AT 514 351-2000 OR 1 800 351-3125.



ACCESSORIES



ITEM SWIVEL WHEEL
FORMAT 24" - 30" - 36" - 48"



ITEM SINGLE HOOK
FORMAT 4" - 6" - 8" - 10" - 12"



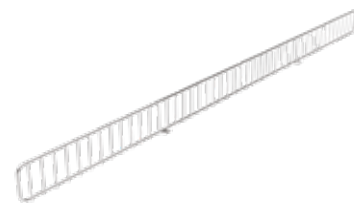
ITEM SLATWALL HOOK
FORMAT 4" - 6" - 8" - 10" - 12"



ITEM HOOK FOR TUBE
FORMAT 4" - 6" - 8" - 10" - 12"



ITEM WIRE SHELF
FORMAT 10" - 12" - 14" - 16" - 18"



ITEM WIRE FENCE - 2 1/2" H
FORMAT 24" - 30" - 36" - 48"



ITEM CHROME WIRE BASKET (NO ENDS)
FORMAT 10" - 12" - 14" - 16" - 18"



ITEM WIRE DIVIDER - 6" H
FORMAT 10" - 12" - 14" - 16" - 18"



ITEM INCLINED SHELF
FORMAT 6" - 8" - 10" - 12" - 14" - 16" - 18"



ITEM SLATWALL SHELF
FORMAT 8" - 10" - 12"

ACCESSORIES



ITEM ADVANCED BAR
FORMAT 1" - 4" - 6" - 8" - 10" - 12"



ITEM STRAIGHT CROSSBAR
FORMAT 6" - 8" - 10" - 12"



ITEM 5 BALL CROSSBAR
FORMAT 6" - 8" - 10" - 12"



ITEM 7 BALL CROSSBAR
FORMAT 6" - 8" - 10" - 12"



ITEM PLAIN BACK (METAL OR MASONITE)
FORMAT 24" - 30" - 36" - 48" L X VARIOUS HEIGHTS



ITEM SLATWALL BACK
FORMAT 24" - 30" - 36" - 48" L X VARIOUS HEIGHTS



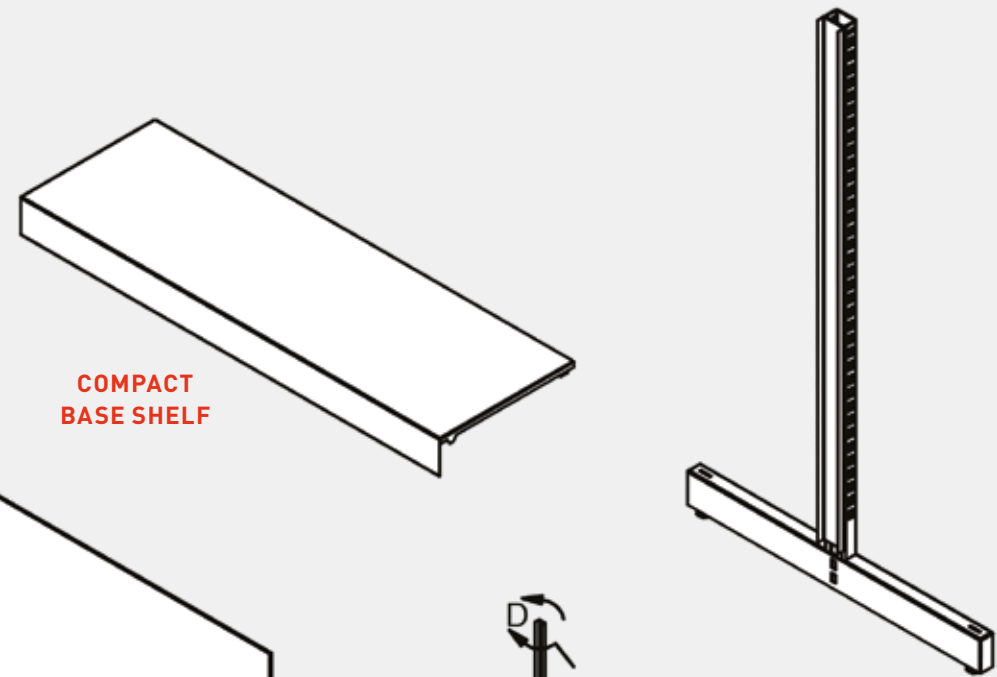
ITEM PERFORATED BACK (METAL OR MASONITE)
FORMAT 24" - 30" - 36" - 48" L X VARIOUS HEIGHTS



ITEM STRAIGHT METAL SHELF
FORMAT 6" - 8" - 10" - 12" - 14" - 16" - 18"

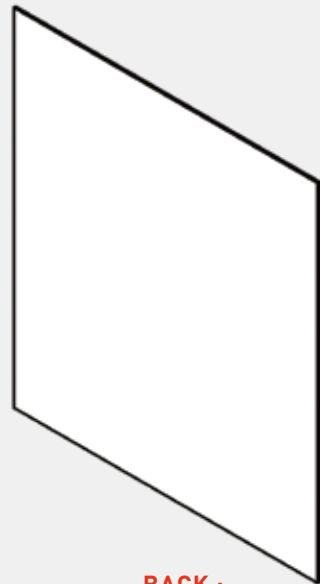


ITEM "BULLNOSE" METAL SHELF
FORMAT 6" - 8" - 10" - 12" - 14" - 16" - 18"

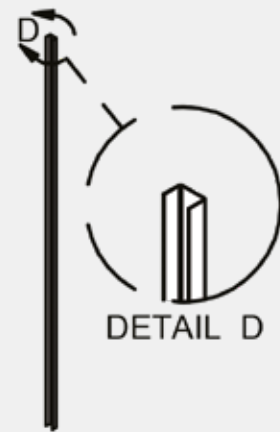


COMPACT
BASE SHELF

END POST

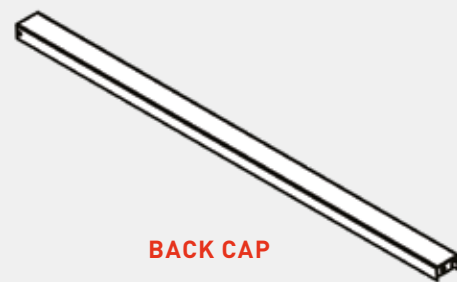


BACK :
MASONITE,
METAL,
SLATWALL

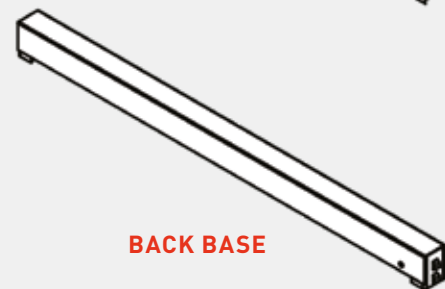


BACK
SPACER

DETAIL D



BACK CAP

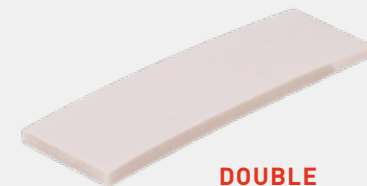


BACK BASE



FINISHING CAP

HARDWARE AND TOOLS



DOUBLE
FACETAPE

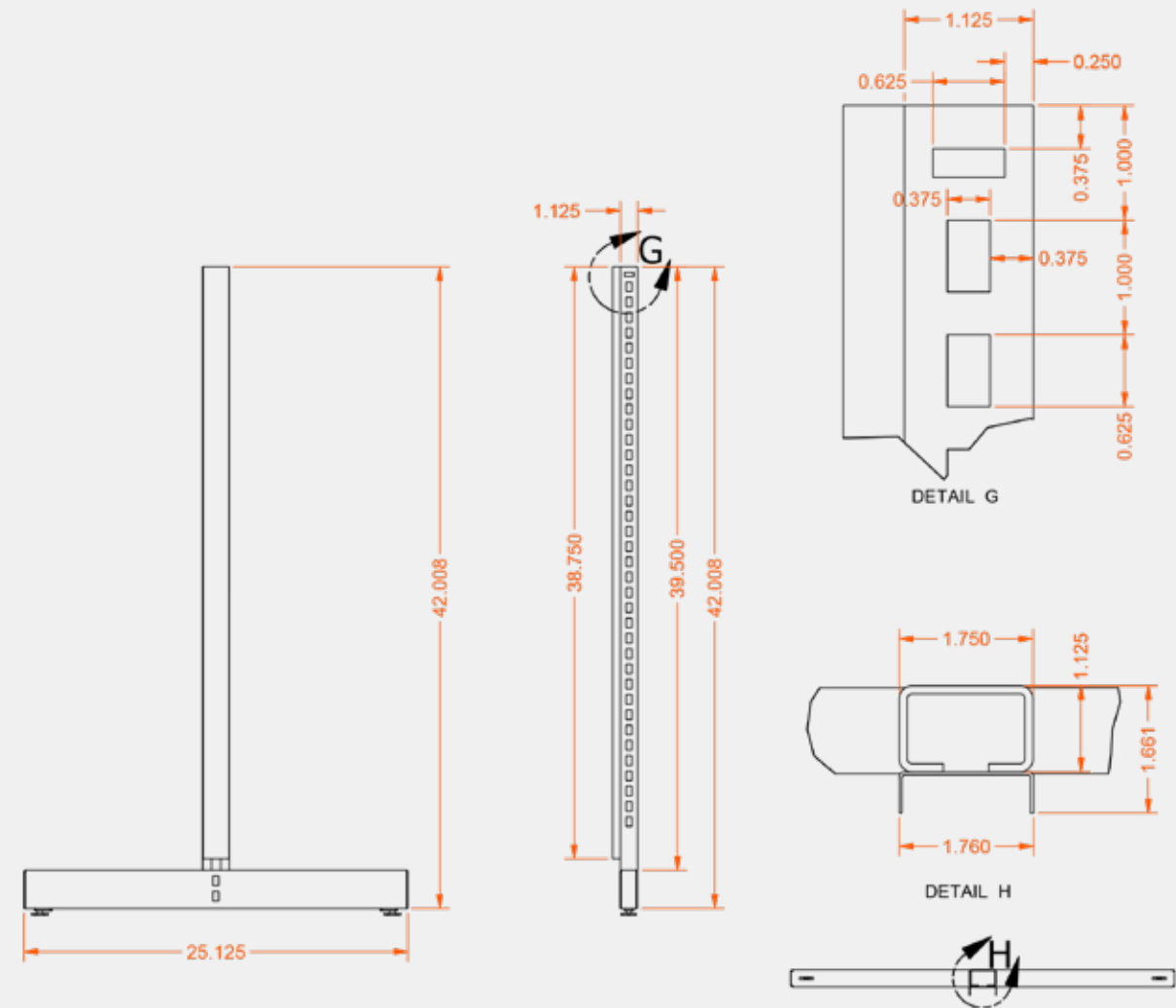


ADJUSTABLE
LEVELLING
KEY



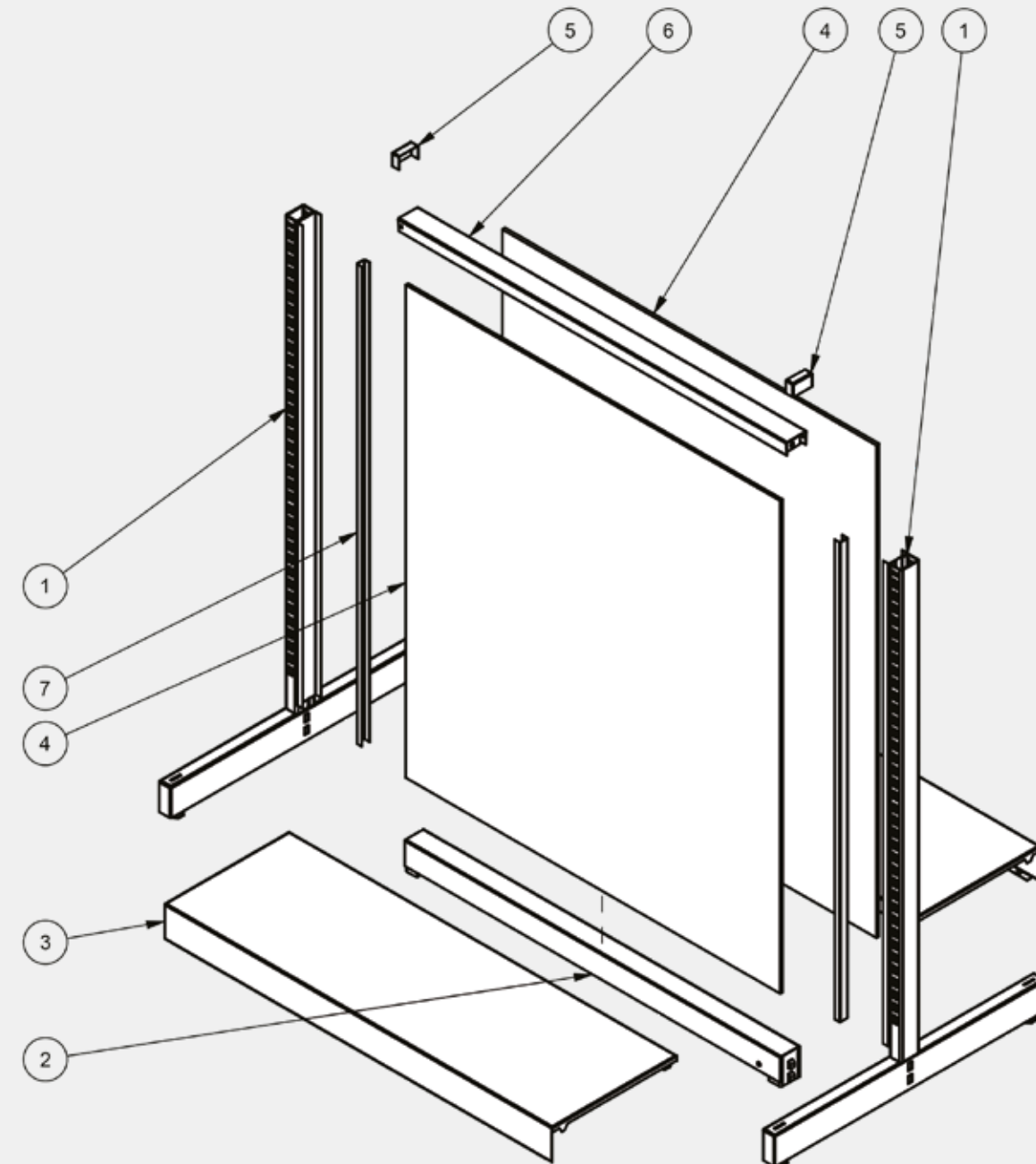
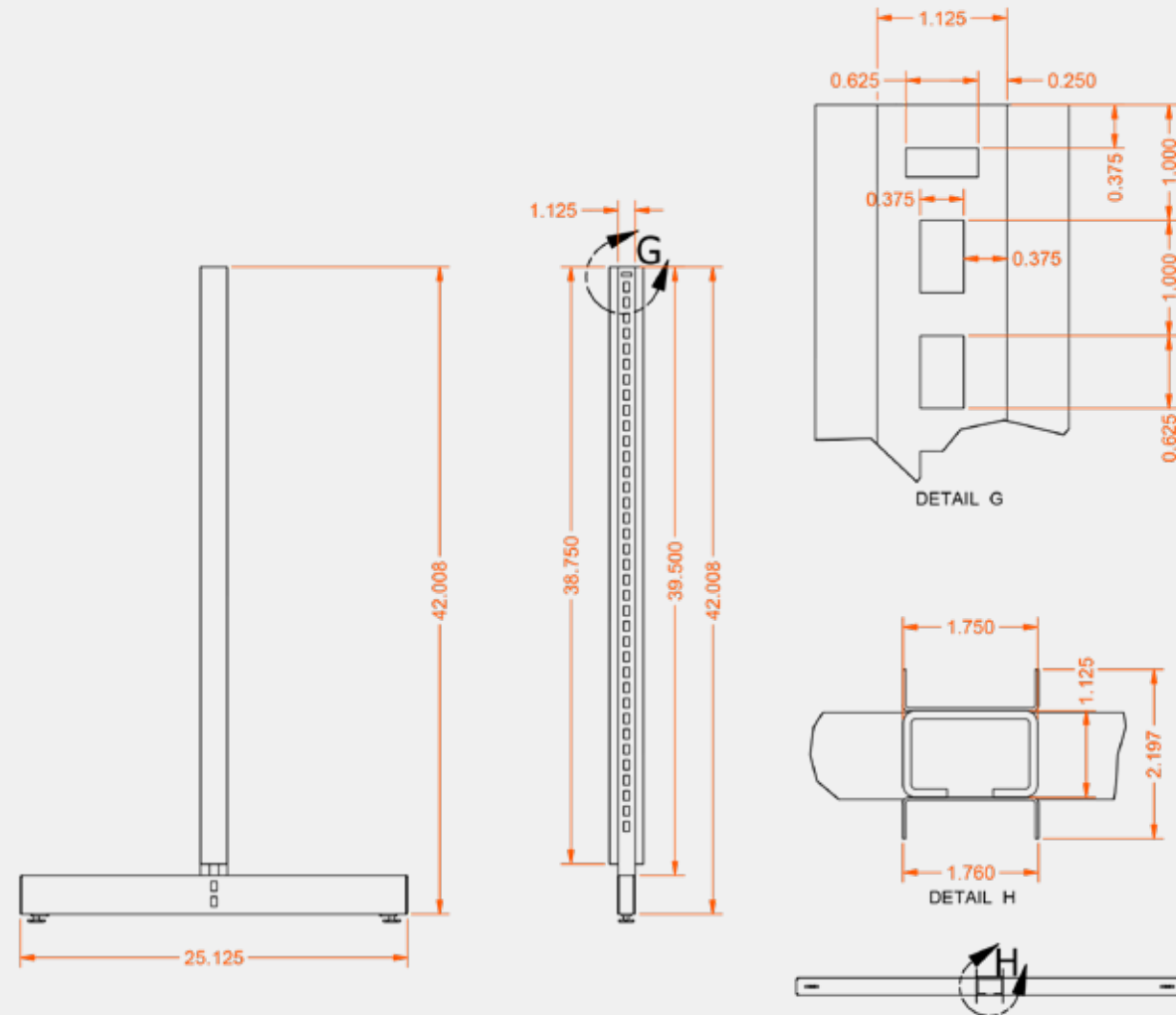
LEVELLERS

LIST OF MATERIALS			
ITEM	QTÉ	CODE DE PRODUIT	DESCRIPTION
1	1	09000042J	COMPACT POST 39 1/2" (42")
3	1	090121236sc003	COMPACT POST BASE FOR END CAP 12" X 12"
4	1	09000139a	STANDARD CHANNEL 1/2" X 1 11/16" X 1/2" X 38 3/4" (42")
5	2	090080148sc014	COMPACT BASE LEVELER (7 1/4") 2 HOLES
7	2	530NIVEL3125150	LEVELER 5/16" - 18 X 1 1/2" ZINC
8	2	530ECRSOU312180	WELD NUT 5/16" - 18



LIST OF MATERIALS			
ITEM	QTY	PRODUCT CODE	DESCRIPTION
1	1	09000042J	COMPACT POST 39 1/2" (42")
3	1	090121236sc003	COMPACT POST BASE FOR END CAP 12" X 12"
4	2	09000139a	STANDARD CHANNEL 1/2" X 1 11/16" X 1/2" X 38 3/4" (42")
5	2	090080148sc014	COMPACT BASE LEVELER (7 1/4") 2 HOLES
7	2	530NIVEL3125150	LEVELER 5/16" - 18 X 1 1/2" ZINC
8	2	530ECRSOU312180	WELD NUT 5/16" - 18

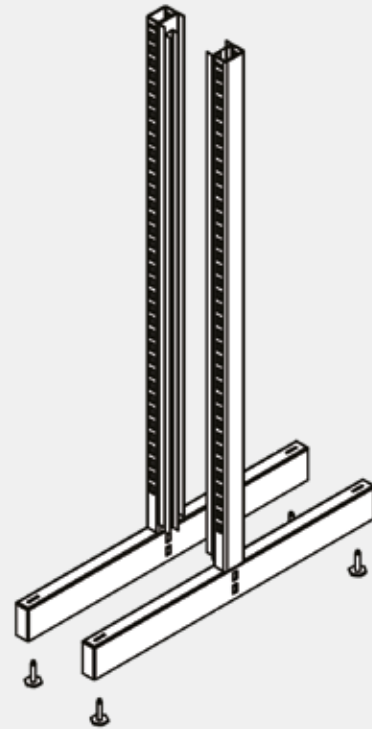
LIST OF MATERIALS			
ITEM	QTY	PRODUCT CODE	DESCRIPTION
1	2	090120242	COMPACT END POST
2	1	090090036	COMPACT BACK BASE 36"
3	2	090051236	COMPACT BASE SHELF 12" x 36"
4	2	090-PAN D05	BACK PANEL
5	2	09010001	FINISHING CAP 9/16" x 1 13/16"
6	1	090100036	BACK CAP 1-13/16" X 36"
7	2	090010138	BACK SPACER



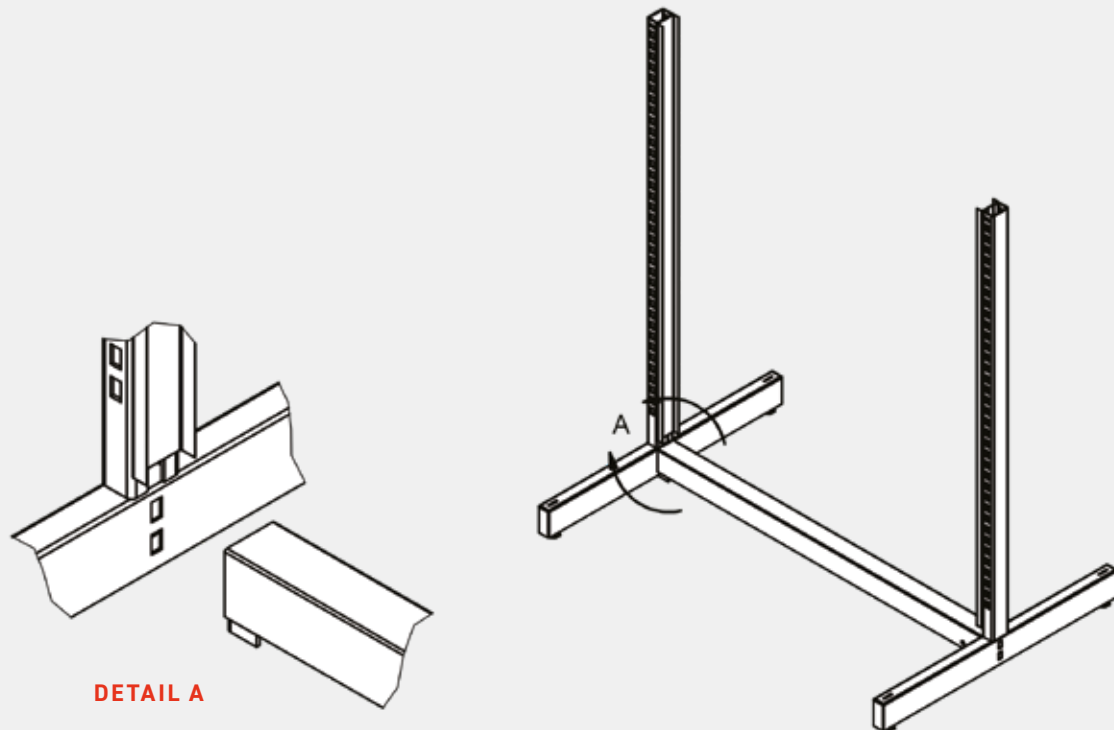
ETALEX

INSTALLATION STEPS

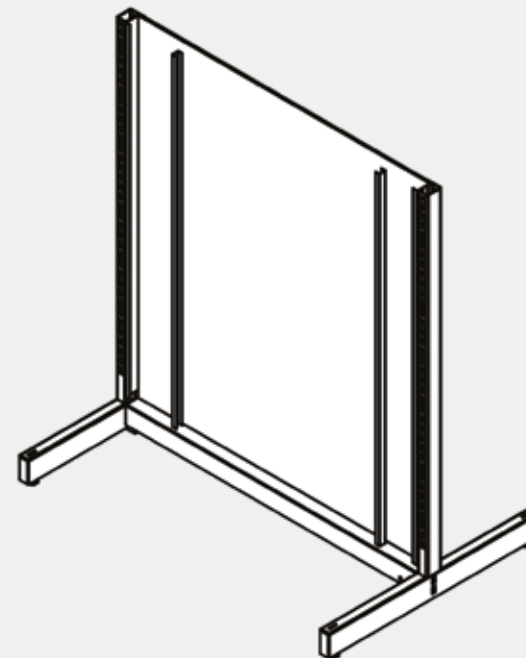
STEP 1:
INSTALL THE LEVELLERS ON THE POST.



STEP 2:
INSERT THE BACK BASE ON THE POST.

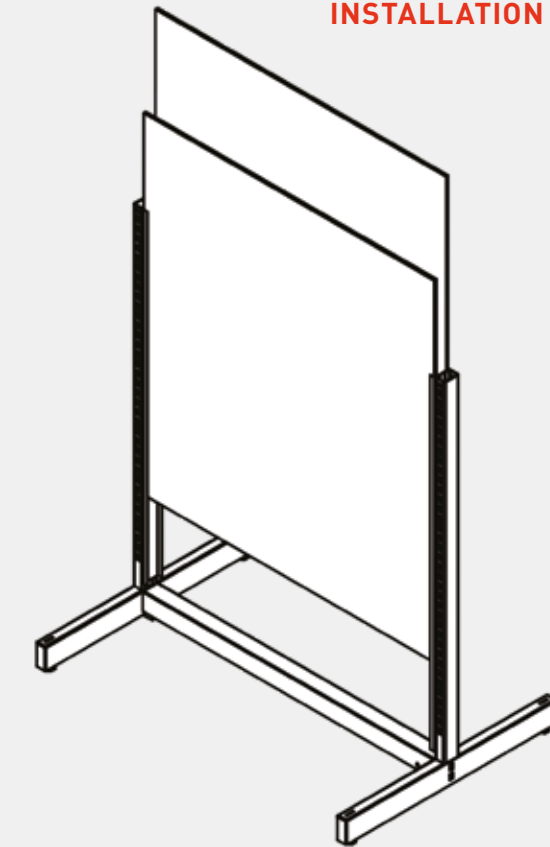


STEP 3:
INSERT THE BACK PANEL
IN THE POST.

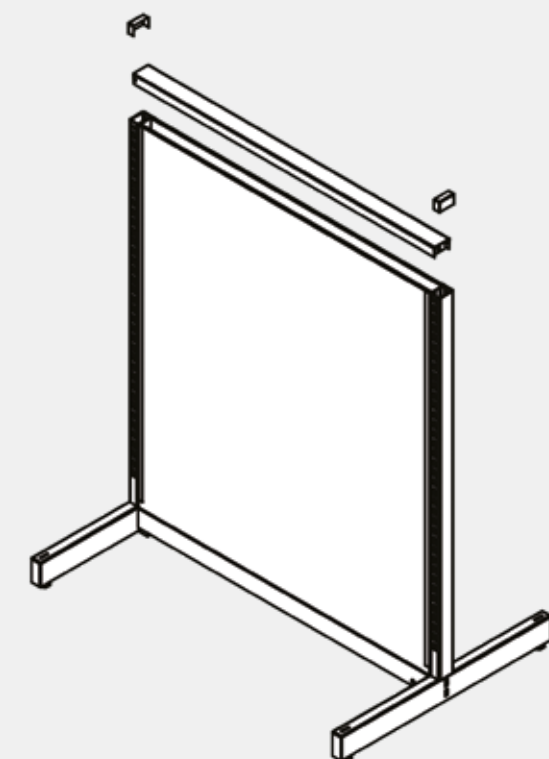


INSTALLATION STEPS

Catalogue / C Series



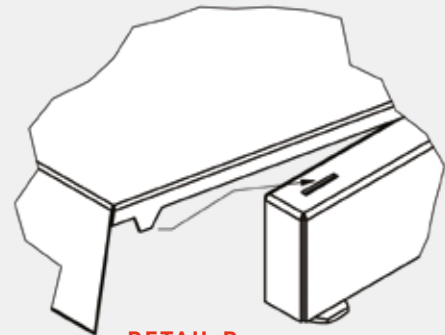
STEP 4:
INSTALL THE BACK SPACERS
IN THE POST. (STICK TO POST
USING DOUBLE FACETAPE).



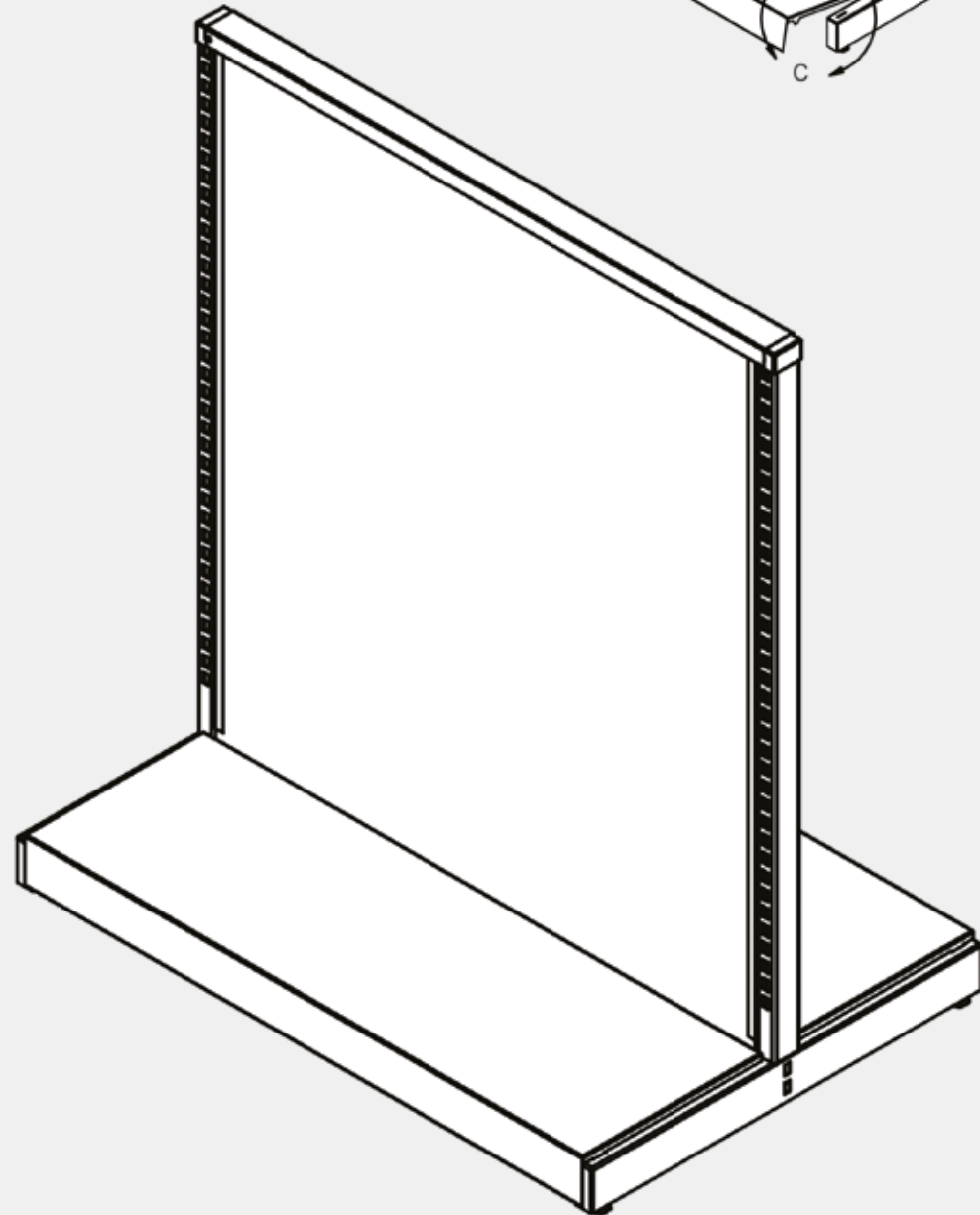
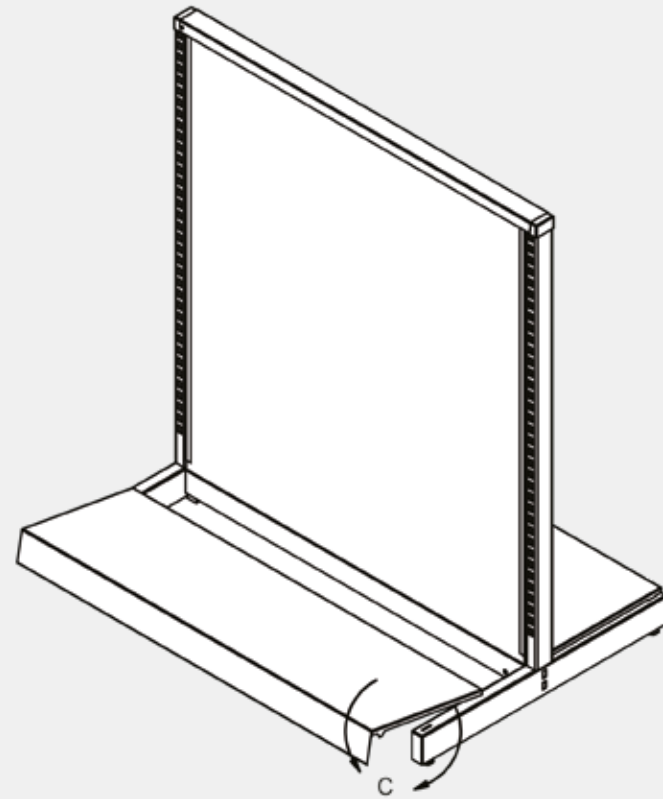
STEP 5:
INSTALL THE TOP CAP ON THE
GONDOLA AND BOTH END CAPS.

INSTALLATION STEPS

STEP 6:
INSTALL THE BASE SHELVES ON THE
TUBING FEET AND LOCK IN PLACE
USING THE NOTCHES.



DETAIL B



PORTFOLIO



PORTFOLIO



PORTFOLIO





WWW.ETALEX.CA

CONTACT US

ANJOU PLANT

8501, Jarry Street East,
Montreal, QC H1J 1H7

SAINT-BRUNO PLANT

1299, Marie-Victorin,
St-Bruno, QC J3V 6B7

RAY-LAWSON PLANT

10251, Ray-Lawson,
Anjou, QC H1J 1L6

T 514 351-2000

SF 1 800 351-3125



FACEBOOK/ETALEX



LINKEDIN/ETALEX



YOUTUBE/ETALEX

MADE IN CANADA 