



WS SERIES

LIGHT RACKING

**INSTALLATION GUIDE,
COMPONENTS,
ACCESSORIES AND CODES.**





LIGHT RACKING (WS TYPE)

More delicate and discreet than our heavy storage systems the light storage (Type WS) still offers what you need. It can replace our standard commercial shelves in retail stores, grocery stores or small warehouses. It provides higher load capacity than regular shelving systems, without the appearance of a heavy storage system.

LIGHT RACKING WS

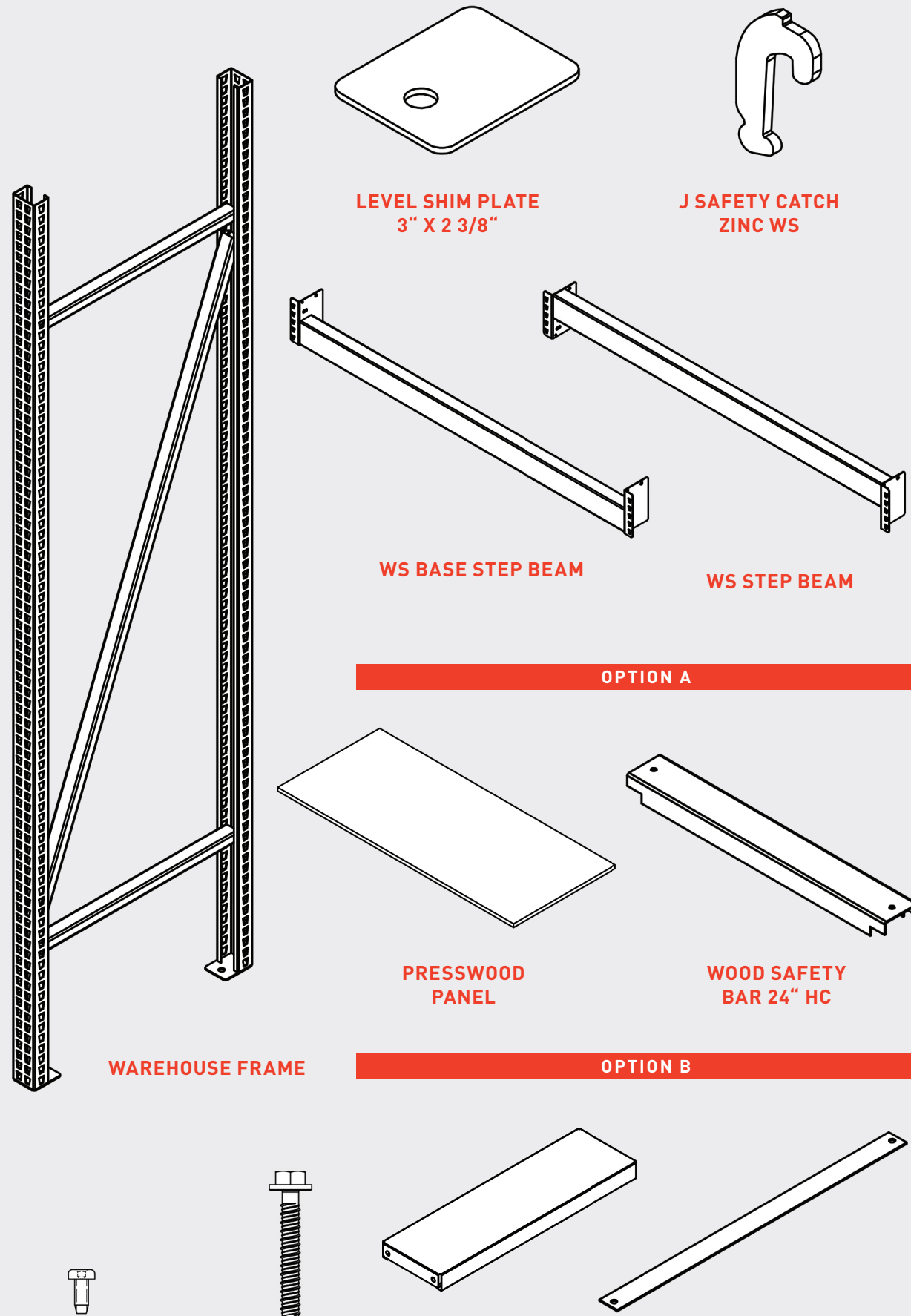
Width : 24"- 30"- 36"- 42"- 48"
Height :
48"- 54"- 60"- 66", etc... (in 6" increments)

RACKING BEAM

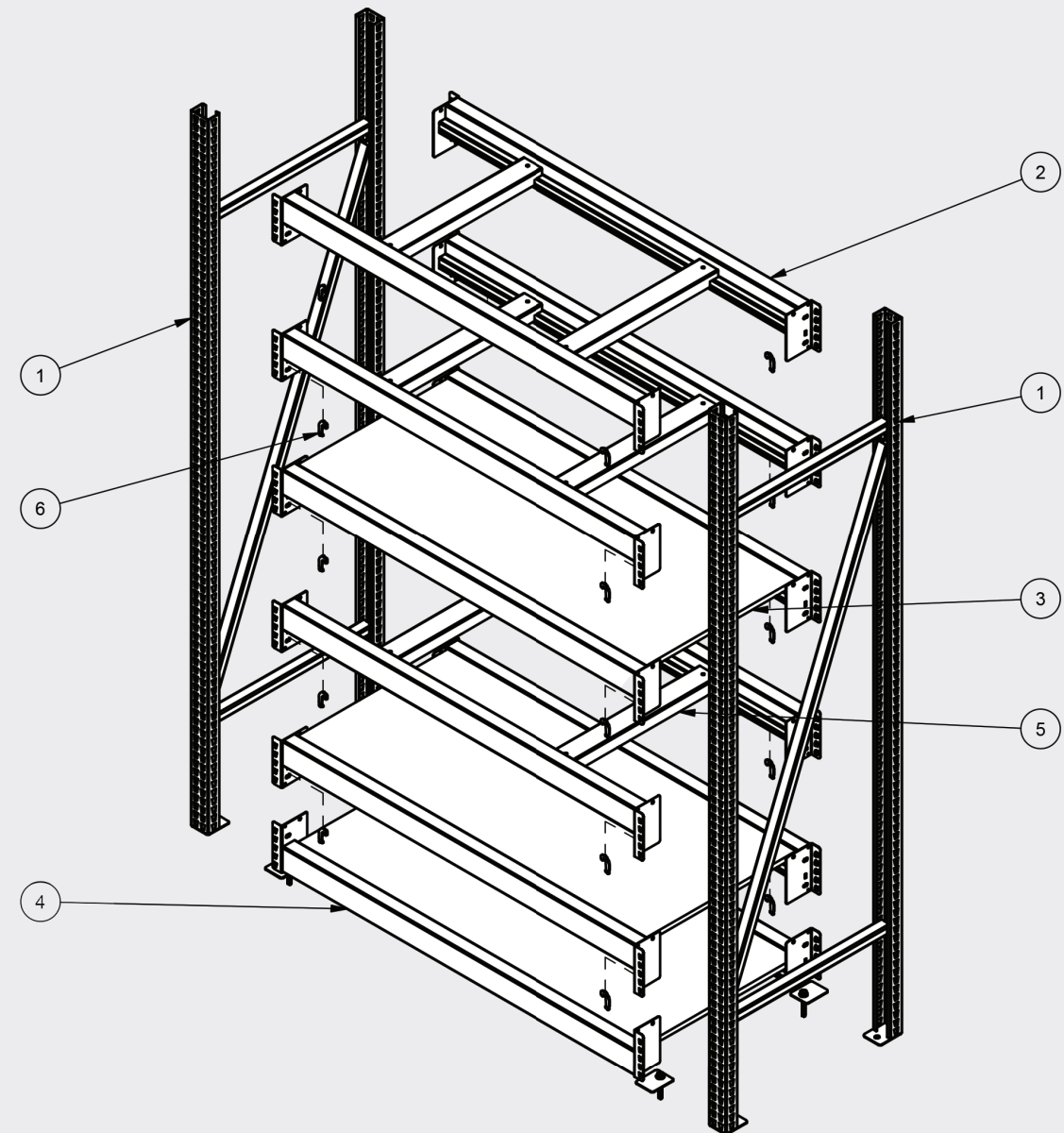
Length :
48"- 54"- 60"- 66"- 72"- 78"- 84"- 90"- 96"- 102"- 108"- 114"- 120"
Height :
box 2", step 2 1/4" et 3"

Transversal slats : 20 ga
Longitudinal slats : 16 ga
Beams : 14 ga

ETALEX

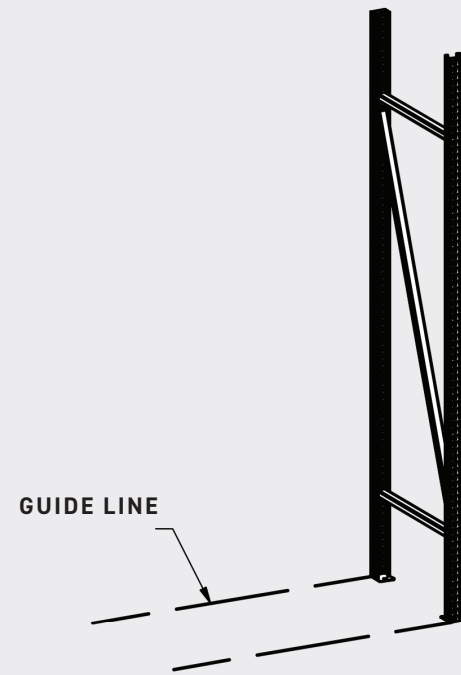


MATERIAL LIST PALLET RACK WS			
ITEM	QTY	PRODUCT CODE	DESCRIPTION
1	2	03263(YZZ)	WAREHOUSE FRAME (YY") X (ZZ") WS
2	10	03225(HXXX)MB	(HXXX)MB H-BEAM (H") X (XXX") -1 5/8" + SUP-WS
3	6	01415XXYYH	PRESSWOOD (5/8")(XX") X (YY")
4	2	03225B(HXXX)MB	H-BEAM BASE (H") X (XXX") -1 5/8" + SUP-WS
5	12	401HC02(YY)	WOOD SAFETY BAR (YY") HC
6	20	401A00000A	SAFETY CLIP (1/8")
7	4	032000001	SHIM WS 3" X 2 3/8"
8	4	530ANCB0U375250	UCAN TORPEDO BOLT, GALV. 3/8" x 2-1/2"
9	48	0231106(YY)H	LATTE GAL-20G 1 7/16"x6"x(YY")
10	20	0239010(YY)	STRAIGHER H-BEAM
11	12	530VISAUTO12075	SELF TAPING SCREW #12 X 3/4" AT BOTH ENDS



ETALEX

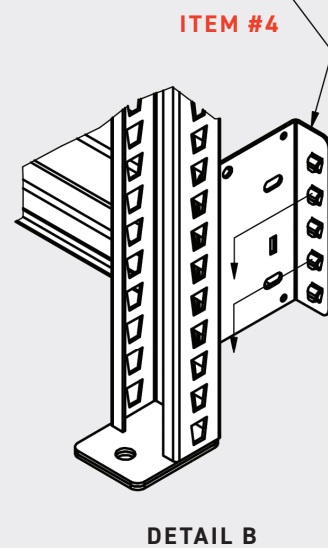
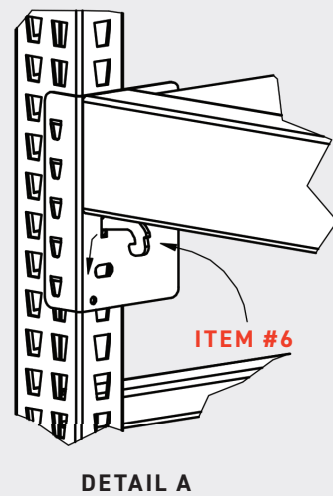
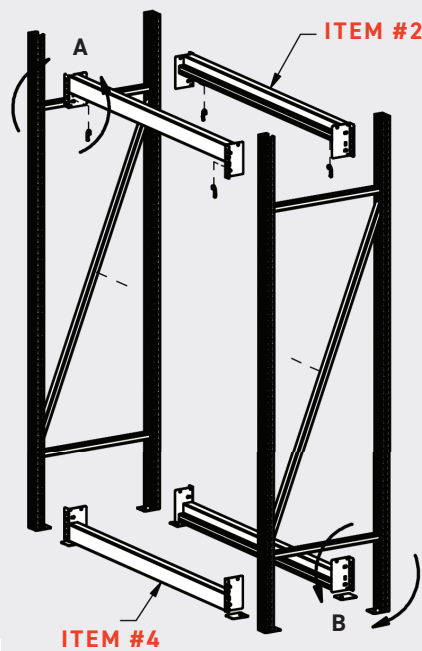
STEP 1:
DRAW A GUIDE LINE ON THE FLOOR TO POSITION THE FRAME (ITEM#1).



STEP 2:
SECURE THE FRAMES, POSITION THE FIRST FRAME.

STEP 3:
INSTALL THE BOTTOM LEVEL OF STEP BEAM (ITEM#4) ON THE FRAME.

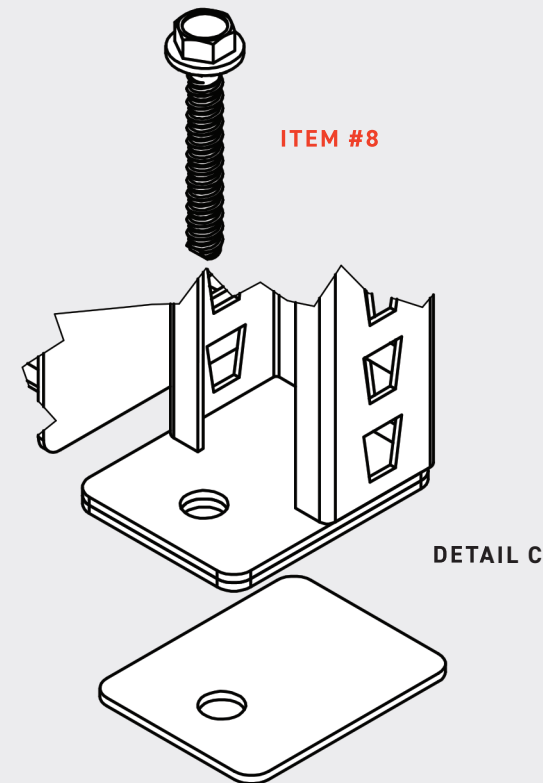
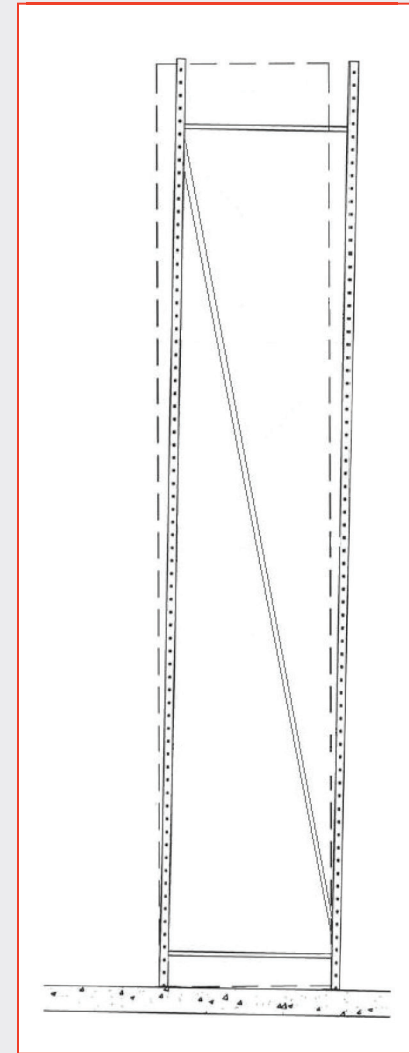
STEP 4:
INSTALL THE TOP LEVEL OF STEP BEAM (ITEM#2) ON THE FRAME. SECURE THE STRUCTURE WITH THE J SAFETY CATCH (ITEM#6).



STEP 5:
CHECK THE DIFFERENCE IN VERTICALITY OF THE UPRIGHTS FRAME USING A LASER LEVEL. THE DIFFERENCE MUST NOT EXCEED L/240 TIMES THE HEIGHT OF THE EMPTY FRAME OR L/200 LOADED.

EXAMPLE:
FOR AN UPRIGHT OF 120" (10 FT), THE VERTICALITY DIFFERENCE MUST NOT EXCEED 1 IN, OR $120"/240 = 1/2$ IN, DEPENDING ON THE CRITERION OF L/240. IF THE DISTANCE IS GREATER, PROCEED WITH LEVELING USING UPRIGHT SHIM (ITEM#7) APPLIED UNDER THE BASE OF THE UPRIGHTS FRAMES, AS TO HAVE THE BEST VERTICALITY. WHEN THE THICKNESS OF THE LEVELING PLATES EXCEEDS 1/2" ASSEMBLY MUST BE WELDED TOGETHER TO PREVENT DISPLACEMENT ON IMPACT.

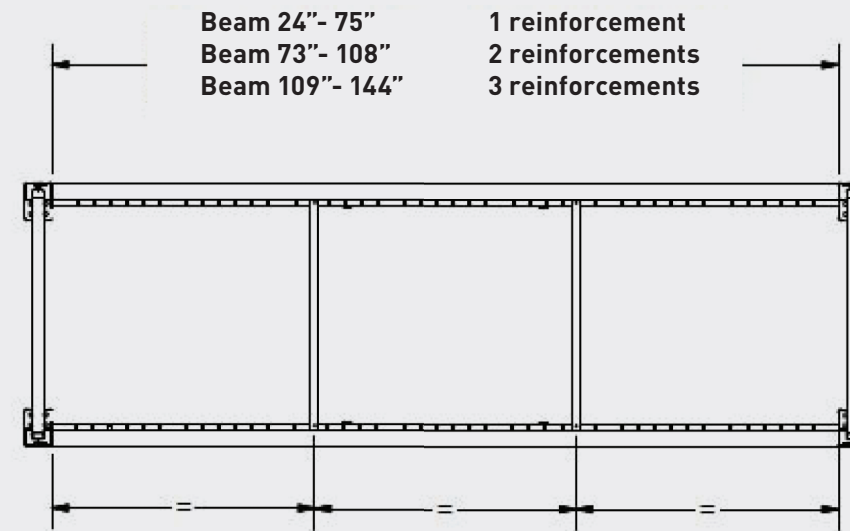
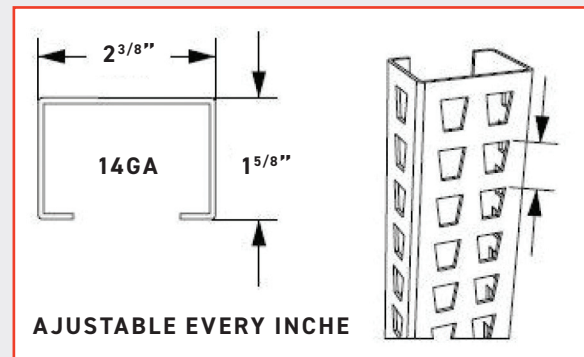
STEP 6:
WHEN VERTICALITY IS OBTAINED, FIX THE UPRIGHTS TO THE GROUND USING CONCRETE ANCHORS (ITEM#8) THE ANCHORS MUST BE INSTALLED ON THE FRONT PLATE AND THE BACK PLATE.



ÉTAPE 7:

INSTALL THE STEP BEAM AT DESIRED HEIGHT.

Width :
24"- 30"- 36"- 42" and 48"
Height :
48"- 54"- 60"- 66"- 72"- 84"- 90"- 96" and 102"

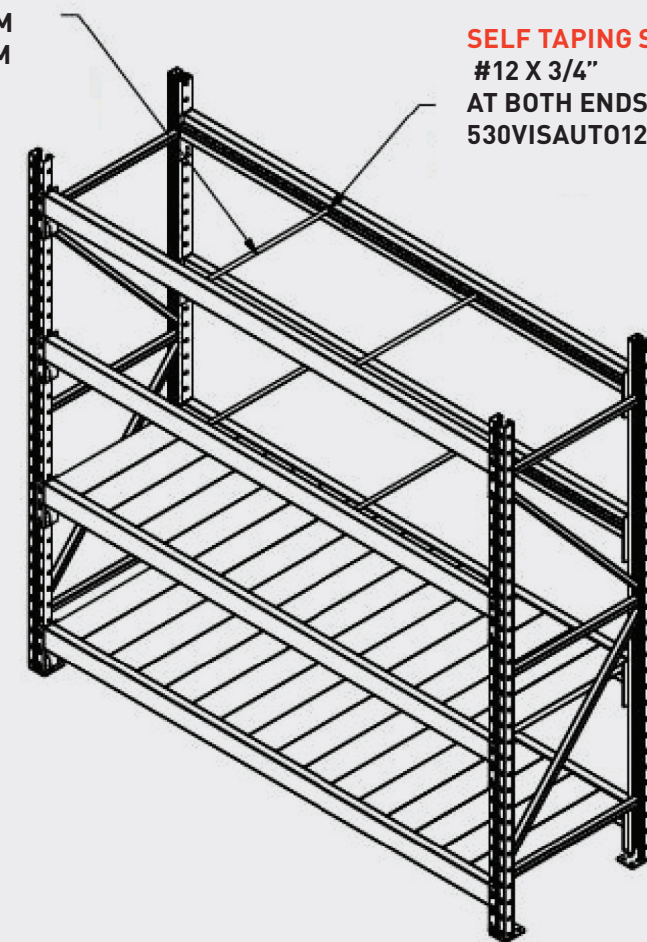
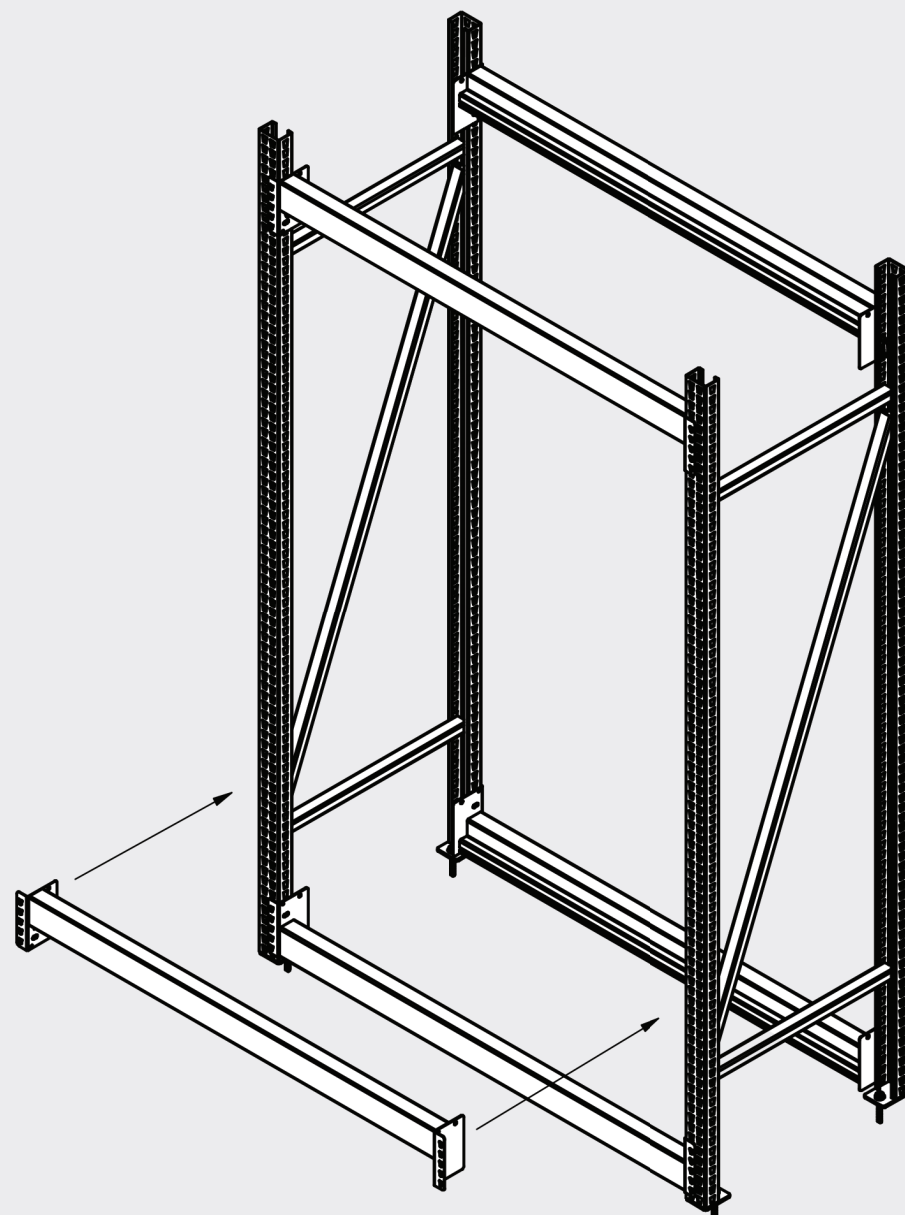


REINFORCEMENT

0239000XX - FOR H2 BEAM
0239010XX - FOR H3 BEAM

XX = UPRIGHT DEPTH

SELF TAPING SCREW
#12 X 3/4"
AT BOTH ENDS
530VISAUTO12075



ETALEX

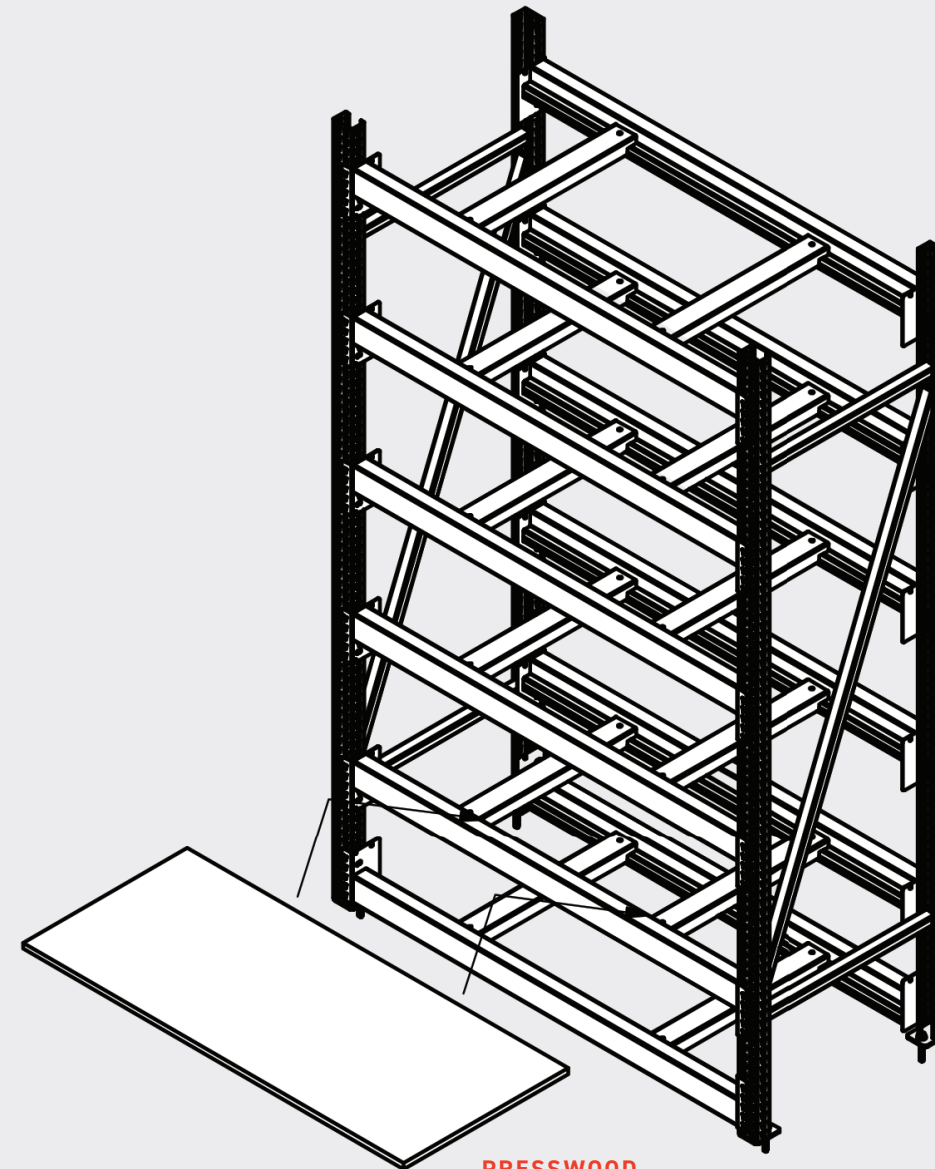
STEP 8A:
INSTALL THE WOOD SAFETY BAR
(ITEM#5) ON THE STEP BEAM (ITEM#2
AND ITEM#4).

WOOD SAFETY
BAR 24" HC



STEP 9A: FOR WS WITH PRESSWOOD PANELS
DEPOSIT THE PRESSWOOD PANELS (ITEM#3) ON THE WOOD SAFETY BAR HC
(ITEM#5).

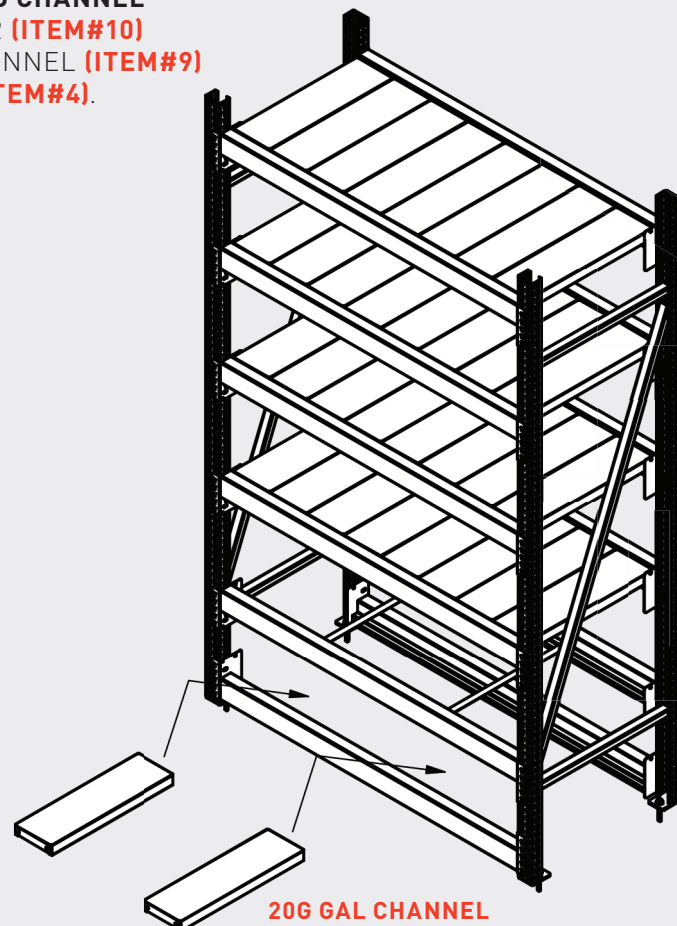
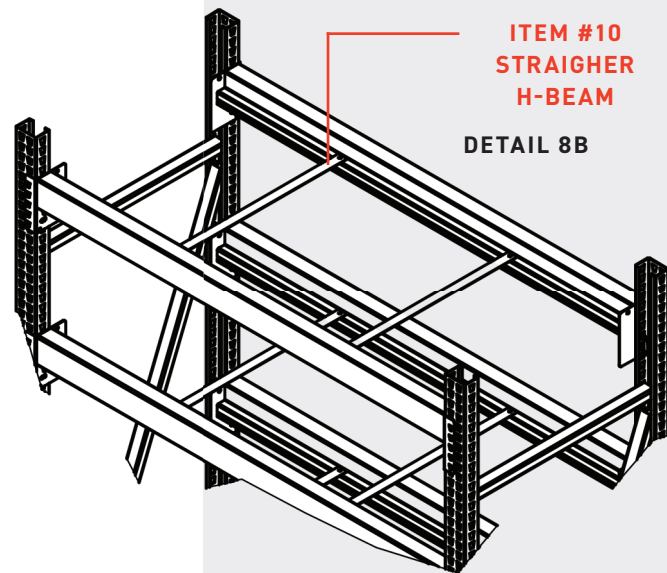
PRESSWOOD
PANEL



STEP 8B: FOR WS WITH GALVANIZED CHANNEL
INSTALL THE REINFORCEMENT BAR (ITEM#10)
THE GALVANIZED LATTES 20GA CHANNEL (ITEM#9)
ON THE STEP BEAM (ITEM#2 AND ITEM#4).

ITEM #10
STRAIGHTER
H-BEAM
DETAIL 8B

20G GAL CHANNEL





WWW.ETALEX.CA

CONTACT US

ANJOU PLANT

8501, Jarry Street East,
Montreal, QC H1J 1H7

T 514 351-2000

TF 1 800 351-3125

SAINT-BRUNO PLANT

1299, Marie-Victorin,
St-Bruno, QC J3V 6B7

T 450 653-1299

TF 1 888 224-BONI

USINE RAY-LAWSON

10251, boul. Ray Lawson,
Anjou, QC H1J 1L6

T 514 351-2000

SF 1 800 351-3125



FACEBOOK/ETALEX



LINKEDIN/ETALEX



YOUTUBE/ETALEX

FAIT AU CANADA 🍁